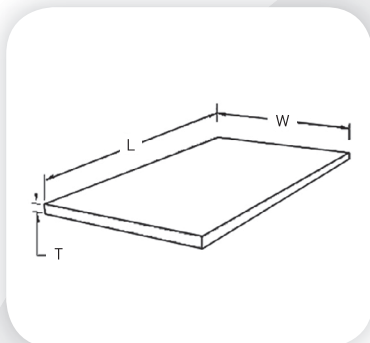


4.10. Kylmävalssatut ruostumattomat teräslevyt



MYÖS KELOINA JA MÄÄRÄMITTOINA.

Standardit: EN 10088-2, EN 10028-7 ja EN ISO 9445
 Teräslaadut: 1.4301, 1.4307, 1.4541, 1.4404, 1.4571, 1.4016, 1.4509, 1.4003 ja 1.4512
 Materiaalitodistus: 3.1. EN 10204
 A = Austeniittinen, F = Ferriittinen
 Pinnanlaatuvaihtoehdot: 2B, BA, DB, 4NT jne.

Paksuus (T) mm	Leveys (W) mm	Pituus (L) mm	Paino kg/kpl	1.4301 A	1.4307 A	1.4541 A	1.4404 A	1.4571 A	1.4016 F	1.4509 F	1.4003 F	1.4512 F
0,4	1000	2000	6,4	x	x	x	x	x	x			
0,4	1250	2500	10,0	x	x	x	x	x	x			
0,5	1000	2000	8,0	x	x	x	x	x	x	x		
0,5	1250	2500	12,5	x	x	x	x	x	x	x		
0,6	1000	2000	9,6	x	x	x	x	x	x	x		
0,6	1250	2500	15,0	x	x	x	x	x	x	x		
0,7	1000	2000	11,2	x	x	x	x	x		x		
0,7	1250	2500	17,5	x	x	x	x	x		x		
0,8	1000	2000	12,8	x	x	x	x	x	x	x	x	
0,8	1250	2500	20,0	x	x	x	x	x	x	x	x	
0,8	1500	3000	28,8	x	x	x	x	x	x	x	x	
1,0	1000	2000	16,0	x	x	x	x	x	x	x	x	
1,0	1250	2500	25,0	x	x	x	x	x	x	x	x	x
1,0	1500	3000	36,0	x	x	x	x	x	x	x	x	
1,2	1000	2000	19,2	x	x	x	x	x	x	x	x	
1,2	1250	2500	30,0	x	x	x	x	x	x	x	x	x
1,2	1500	3000	43,2	x	x	x	x	x	x	x	x	
1,5	1000	2000	24,0	x	x	x	x	x	x	x	x	
1,5	1250	2500	37,5	x	x	x	x	x	x	x	x	x
1,5	1500	3000	54,0	x	x	x	x	x	x	x	x	
1,5	2000	4000	96,0	x	x	x	x	x				
1,5	2000	6000	144,0	x	x	x	x	x				
2,0	1000	2000	32,0	x	x	x	x	x	x	x	x	
2,0	1250	2500	50,0	x	x	x	x	x	x	x	x	
2,0	1500	3000	72,0	x	x	x	x	x	x	x	x	
2,0	2000	4000	128,0	x	x	x	x	x				
2,0	2000	6000	192,0	x	x	x	x	x				

RUOSTUMATTOMAT TERÄKSET
 Kylmävalssatut
 ruostumattomat teräslevyt

Kylmävalssatut ruostumattomat teräslevyt

Paksuus (T) mm	Leveys (W) mm	Pituus (L) mm	Paino kg/kpl	1.4301 A	1.4307 A	1.4541 A	1.4404 A	1.4571 A	1.4016 F	1.4509 F	1.4003 F	1.4512 F
2,5	1000	2000	40,0	x	x	x	x	x	x	x		
2,5	1250	2500	62,5	x	x	x	x	x	x	x		
2,5	1500	3000	90,0	x	x	x	x	x	x	x		
2,5	2000	4000	160,0	x	x	x	x	x				
2,5	2000	6000	240,0	x	x	x	x	x				
3,0	1000	2000	48,0	x	x	x	x	x	x	x		
3,0	1250	2500	75,0	x	x	x	x	x	x	x		
3,0	1500	3000	108,0	x	x	x	x	x	x	x		
3,0	2000	4000	192,0	x	x	x	x	x				
3,0	2000	6000	288,0	x	x	x	x	x				
4,0	1000	2000	64,0	x	x	x	x	x				
4,0	1250	2500	100,0	x	x	x	x	x				
4,0	1500	3000	144,0	x	x	x	x	x				
4,0	2000	4000	256,0	x	x	x	x	x				
4,0	2000	6000	384,0	x	x	x	x	x				
5,0	1000	2000	80,0	x	x	x	x	x				
5,0	1250	2500	125,0	x	x	x	x	x				
5,0	1500	3000	180,0	x	x	x	x	x				
5,0	2000	4000	320,0	x	x	x	x	x				
5,0	2000	6000	480,0	x	x	x	x	x				
6,0	1000	2000	96,0	x	x	x	x	x				
6,0	1250	2500	150,0	x	x	x	x	x				
6,0	1500	3000	216,0	x	x	x	x	x				
6,0	2000	4000	384,0	x	x	x	x	x				
6,0	2000	6000	576,0	x	x	x	x	x				
8,0	1000	2000	128,0	x	x	x	x	x				
8,0	1250	2500	200,0	x	x	x	x	x				
8,0	1500	3000	288,0	x	x	x	x	x				
8,0	2000	4000	512,0	x	x	x	x	x				
8,0	2000	6000	768,0	x	x	x	x	x				