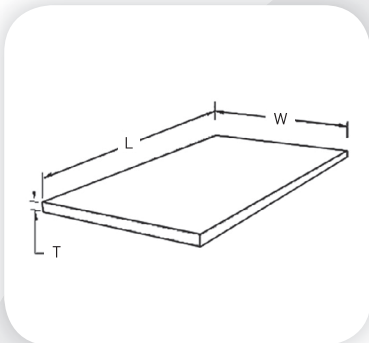


# 4.9. Kuumavalssatut ruostumattomat teräslevyt



**MYÖS KELOINA JA MÄÄRÄMITTOINA.**

Standardit: EN 10088-2, EN 10028-7, EN ISO 18286 ja EN ISO 9444  
 Teräslaadut: 1.4301, 1.4307, 1.4541, 1.4404, 1.4571 ja 1.4003  
 Materiaalitodistus: 3.1. EN 10204  
 A = Austeniittinen, F = Ferriittinen  
 Pinnanlaatu: 1A

Paksuus (T) mm	Leveys (W) mm	Pituus (L) mm	Paino kg/kpl	1.4301 A	1.4307 A	1.4541 A	1.4404 A	1.4571 A	1.4003 F
2,0	1000	2000	32,0	x	x	x	x	x	x
2,0	1250	2500	50,0	x	x	x	x	x	x
3,0	1000	2000	48,0	x	x	x	x	x	x
3,0	1250	2500	75,0	x	x	x	x	x	x
3,0	1500	3000	108,0	x	x	x	x	x	x
3,0	1500	6000	216,0	x	x	x	x	x	
4,0	1000	2000	64,0	x	x	x	x	x	x
4,0	1250	2500	100,0	x	x	x	x	x	x
4,0	1500	3000	144,0	x	x	x	x	x	x
4,0	1500	6000	288,0	x	x	x	x	x	
4,0	2000	4000	256,0	x	x	x	x	x	
4,0	2000	6000	384,0	x	x	x	x	x	
5,0	1000	2000	80,0	x	x	x	x	x	x
5,0	1250	2500	125,0	x	x	x	x	x	x
5,0	1500	3000	180,0	x	x	x	x	x	x
5,0	1500	6000	360,0	x	x	x	x	x	
5,0	2000	4000	320,0	x	x	x	x	x	
5,0	2000	6000	480,0	x	x	x	x	x	
6,0	1000	2000	96,0	x	x	x	x	x	x
6,0	1250	2500	150,0	x	x	x	x	x	x
6,0	1500	3000	216,0	x	x	x	x	x	x
6,0	1500	6000	432,0	x	x	x	x	x	
6,0	2000	4000	384,0	x	x	x	x	x	
6,0	2000	6000	576,0	x	x	x	x	x	
8,0	1000	2000	128,0	x	x	x	x	x	x
8,0	1250	2500	200,0	x	x	x	x	x	x
8,0	1500	3000	288,0	x	x	x	x	x	x
8,0	1500	6000	576,0	x	x	x	x	x	
8,0	2000	4000	512,0	x	x	x	x	x	
8,0	2000	6000	768,0	x	x	x	x	x	

RUOSTUMATTOMAT TERÄKSET  
 Kuumavalssatut  
 ruostumattomat teräslevyt

Paksuus (T) mm	Leveys (W) mm	Pituus (L) mm	Paino kg/kpl	1.4301 A	1.4307 A	1.4541 A	1.4404 A	1.4571 A	1.4003 F
10,0	1000	2000	160,0	x	x	x	x	x	x
10,0	1250	2500	250,0	x	x	x	x	x	x
10,0	1500	3000	360,0	x	x	x	x	x	x
10,0	1500	6000	720,0	x	x	x	x	x	
10,0	2000	4000	640,0	x	x	x	x	x	
10,0	2000	6000	960,0	x	x	x	x	x	
12,0	1000	2000	192,0	x	x	x	x	x	x
12,0	1250	2500	300,0	x	x	x	x	x	x
12,0	1500	3000	432,0	x	x	x	x	x	x
12,0	1500	6000	864,0	x	x	x	x	x	
12,0	2000	4000	768,0	x	x	x	x	x	
12,0	2000	6000	1152,0	x	x	x	x	x	
15,0	1000	2000	240,0	x	x	x	x	x	x
15,0	1250	2500	375,0	x	x	x	x	x	x
15,0	1500	3000	540,0	x	x	x	x	x	x
15,0	1500	6000	1080,0	x	x	x	x	x	
15,0	2000	4000	960,0	x	x	x	x	x	
15,0	2000	6000	1440,0	x	x	x	x	x	
20,0	1000	2000	320,0	x	x	x	x	x	x
20,0	1250	2500	500,0	x	x	x	x	x	x
20,0	1500	3000	720,0	x	x	x	x	x	x
20,0	1500	6000	1440,0	x	x	x	x	x	
20,0	2000	4000	1280,0	x	x	x	x	x	
20,0	2000	6000	1920,0	x	x	x	x	x	
25,0	1000	2000	400,0	x	x	x	x	x	x
25,0	1250	2500	625,0	x	x	x	x	x	x
25,0	1500	3000	900,0	x	x	x	x	x	x
25,0	1500	6000	1800,0	x	x	x	x	x	
25,0	2000	4000	1600,0	x	x	x	x	x	
25,0	2000	6000	2400,0	x	x	x	x	x	
30,0	1000	2000	480,0	x	x	x	x	x	x
30,0	1250	2500	750,0	x	x	x	x	x	x
30,0	1500	3000	1080,0	x	x	x	x	x	x
30,0	1500	6000	2160,0	x	x	x	x	x	
30,0	2000	4000	1920,0	x	x	x	x	x	
30,0	2000	6000	2880,0	x	x	x	x	x	
40,0	1000	2000	640,0	x	x	x	x	x	x
40,0	1250	2500	1000,0	x	x	x	x	x	x
40,0	1500	3000	1440,0	x	x	x	x	x	x
40,0	1500	6000	2880,0	x	x	x	x	x	
40,0	2000	4000	2560,0	x	x	x	x	x	
40,0	2000	6000	3840,0	x	x	x	x	x	

## Kuumavalssatut ruostumattomat teräslevyt

Paksuus (T) mm	Leveys (W) mm	Pituus (L) mm	Paino kg/kpl	1.4301 A	1.4307 A	1.4541 A	1.4404 A	1.4571 A	1.4003 F
50,0	1000	2000	800,0	x	x	x	x	x	
50,0	1250	2500	1250,0	x	x	x	x	x	
50,0	1500	3000	1800,0	x	x	x	x	x	
50,0	1500	6000	3600,0	x	x	x	x	x	
50,0	2000	4000	3200,0	x	x	x	x	x	
50,0	2000	6000	4800,0	x	x	x	x	x	